



3W (1/248 HP)

TORQUE MOTORS Frame size 61mm sq. (2.4 in.sq.)

Single-Phase

LEAD WIRE TYPE

SPECIFICATIONS

INSULATION CLASS A or E, 4POLES

Model	Rating At Locked Rotor	Voltage (V)	Frequency (Hz)	Maximum Output (W)	At Maximum Output				Starting Torque			Capacitor (μF)	
					Current (A)	Torque (kg-cm, N-m, oz-in)			Speed (rpm)	(kg-cm)	(N-m)		(oz-in)
L6T3□C	5 MIN. CONT.	1 Ø100 1 Ø60	50	3.2 1.2	0.43 0.29	0.42 0.16	0.041 0.016	5.83 2.22	750	0.7 0.26	0.069 0.025	9.72 3.61	7
	5 MIN. CONT.	1 Ø100 1 Ø60		3.5 1	0.47 0.30	0.38 0.11	0.037 0.011	5.28 1.53		0.7 0.26	0.069 0.025	9.72 3.61	
L6T3□B	5 MIN. CONT.	1 Ø220 1 Ø140	60	3.5 1	0.20 0.14	0.38 0.11	0.037 0.011	5.28 1.53	900	0.7 0.26	0.069 0.025	9.72 3.61	1.2
	5 MIN. CONT.	1 Ø220 1 Ø140		3.5 1	0.20 0.14	0.38 0.11	0.037 0.011	5.28 1.53		0.7 0.26	0.069 0.025	9.72 3.61	
L6T3□E	5 MIN. CONT.	1 Ø115 1 Ø60	60	4 1	0.51 0.30	0.43 0.11	0.042 0.011	5.97 1.53	900	0.82 0.26	0.080 0.025	11.39 3.61	6
	5 MIN. CONT.	1 Ø115 1 Ø60		4 1	0.51 0.30	0.43 0.11	0.042 0.011	5.97 1.53		0.82 0.26	0.080 0.025	11.39 3.61	
L6T3□X	5 MIN. CONT.	1 Ø220 1 Ø140	50	3.2 1.2	0.2 0.14	0.42 0.16	0.041 0.016	5.83 2.22	750	0.7 0.26	0.069 0.025	9.72 3.61	1.5
	5 MIN. CONT.	1 Ø220 1 Ø140		3.2 1.2	0.2 0.14	0.42 0.16	0.041 0.016	5.83 2.22		0.7 0.26	0.069 0.025	9.72 3.61	

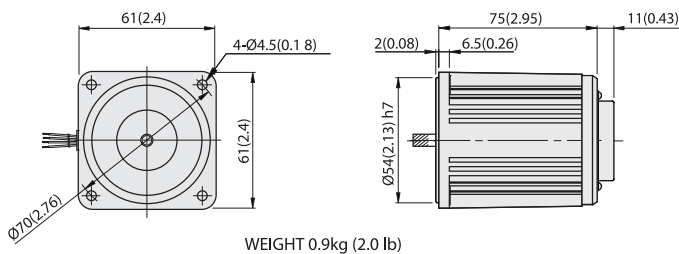
* Model in grey screen represents the motors with THERMALLY PROTECTED according to UL regulation.
 * Model in dark grey screen represents the motors with THERMALLY PROTECTED according to CE regulation.
 * Insulation class for motors which acquired certificates for export is B.

TORQUE MOTORS

DIMENSIONS

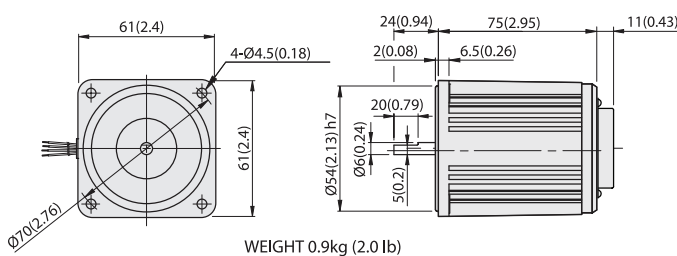
L6T3P□L

Unit : mm(inch)



WEIGHT 0.9kg (2.0 lb)

L6T3D□

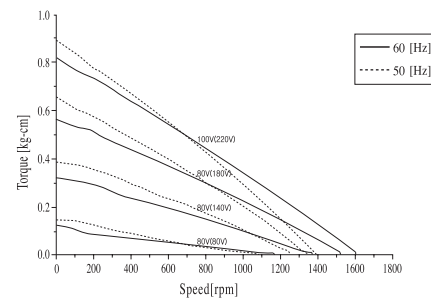


WEIGHT 0.9kg (2.0 lb)

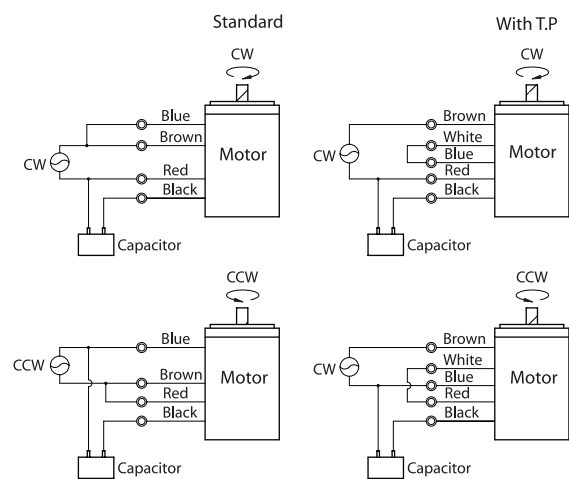


SPEED-TORQUE CURVE

Single phase L6T3□□



CONNECTION DIAGRAMS



The direction of rotation is seen from the end of motor shaft.